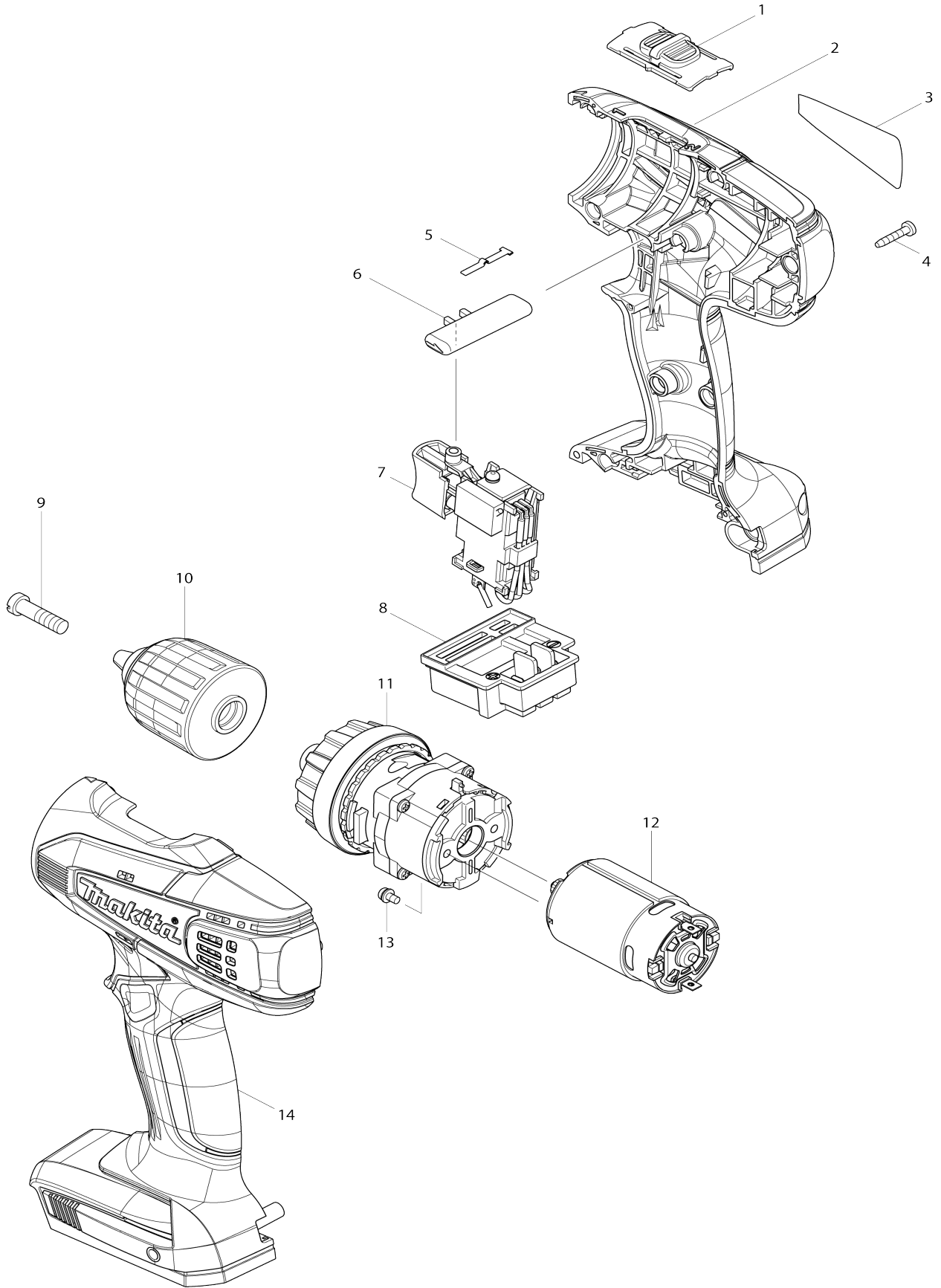


# Model No.DF347D CORDLESS DRIVER DRILL



# Model No.DF347D CORDLESS DRIVER DRILL

Item No.	Parts No.	Description	Interchangability	Q'ty	New/Old
001	125310-5	SPEED CHANGE LEVER ASS'Y		1	
C10	231433-0	COMPRESSION SPRING 4		2	
002	187025-2	HOUSING SET		1	
002		INC. 14			
003	869367-3	DF347D NAME PLATE		1	
004	266429-2	TAPPING SCREW 3X16		9	
005	232182-2	LEAF SPRING		1	
006	452399-3	F/R CHANGE LEVER		1	
007	638887-6	SWITCH UNIT		1	
C10	654086-2	RECEPTACLE		2	
C20	654199-9	RECEPTACLE		2	
008	643861-1	TERMINAL		1	
009	251468-5	- FLAT HEAD SCREW M6X22		1	
010	766002-3	KEYLESS DRILL CHUCK 10		1	*
010-1	763243-2	KEYLESS DRILL CHUCK 10	<	1	
011	126000-3	GEAR ASSEMBLY		1	
012	629898-2	DC MOTOR		1	
013	911003-8	PAN HEAD SCREW M3X6		2	
014	187025-2	HOUSING SET		1	
014		INC. 2			
A01	784636-0	+ - BIT 2-65		1	
A02	***DC18WA	DC18WA BATTERY CHARGER		1	
A02	***DC18WB	DC18WB BATTERY CHARGER		1	
A03-1	196375-4	BATTERY BL1413G SET		2	*
A03-2	196375-4	BATTERY BL1413G SET	O	2	*
A03-3	198192-8	BATTERY BL1415G SET	<	2	*
A03-4	198192-8	BATTERY BL1415G SET	O	2	
A03-4	191N76-3	BATTERY BL1420G SET		2	
A04	452652-7	BATTERY COVER		1	
A05	824981-2	PLASTIC CARRYING CASE		1	
C10	162315-4	LATCH		2	
C20	452137-3	HANDLE		1	
A06	892765-6	DF347DWE PLASTIC CASE LABEL		2	*
A06-1	892768-0	DF347DWE PLASTIC CASE LABEL	<	2	
A06-1	812W32-1	DF347DW PLASTIC CASE LABEL		2	
A06-1	8044S7-3	DF347D001 PLASTIC CASE LABEL		2	
A06-1	8044U7-7	DF347D002 PLASTIC CASE LABEL		2	
A06-1	8048E0-3	DF347DWAE PLASTIC CASE LABEL		2	
F01-4	198192-8	BATTERY BL1415G SET	O	1	
F02-4	198192-8	BATTERY BL1415G SET	O	1	